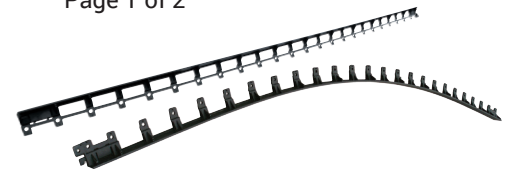




**GATOR EDGE RIGID & FLEX**  
TDS Revision Date (dd/mm/yyyy): 18/04/2019



# TECHNICAL DATA SHEET

**Update:** April 18, 2019  
Make sure you have an updated data sheet on hand.  
Canada and U.S. dial **1-855-847-7767** or (450) 624-1611

**Description:** **Gator Edge Rigid & Flex** are made with 100% Polypropylene Co-Polymer. This will give it great strength as well as provide great flexibility. We have a Rigid model which is ideal for straight applications and the Flex model that can be used for all curved applications such as walkways, paths, entrances etc. Both the **Rigid and Flex** can be locked together with the "Twist & Lock" system. Finally the Rigid could be transform in a partial Flex by cutting the bridge support between each triangular angles.

- Features:**
- The Flex can connect to the Rigid.
  - Use a "Twist & Lock" connection system.
  - Will not corrode.
  - Easy-to-use.
  - Available in flexible or rigid edges.
  - Xtra versatile.
  - Xtra robust system.
  - Xtra support strength.
  - UV resistant.
  - Comes in 8-ft lengths.
  - Use with Gator Nails. Use Gator Screws in Gator Base application.

**For use on:** **GATOR EDGE** is an excellent choice to help define alleys, driveways or sidewalks. **GATOR EDGE** is designed for straight or curved installation. It is especially easy to use and quick to install.

## INSTALLATION INSTRUCTIONS:

1. It should be installed before the paver installation.
2. Use one 10" nail every second hole for great support strength. Make sure edges are installed on a compacted structural aggregate base.
3. Use the "Twist & Lock" feature to secure the edging lengths together. Use one Gator Screw every 2nd hole for great support strength. Make sure edges are installed on Gator Base.
4. Nail or Gator Screw at every "Twist & Lock" junction, this will ensure continuous lateral support.

NOTE: Both Rigid and Flex units can be joined together.

## Packaging:

### Product

**Gator Edge Flex**            1 piece = 8 linear feet  
                                     1 Mini-pack = 6 pieces = 48 linear feet  
                                     1 Master-pack = 4 Mini-packs = 192 linear feet  
                                     1 pallet = 28 Master-packs = 5,376 linear feet

**Gator Edge Rigid**            1 piece = 8 linear feet  
                                     1 Mini-pack = 6 pieces = 48 linear feet  
                                     1 Master-pack = 4 Mini-packs = 192 linear feet  
                                     1 pallet = 28 Master-packs = 5,376 linear feet

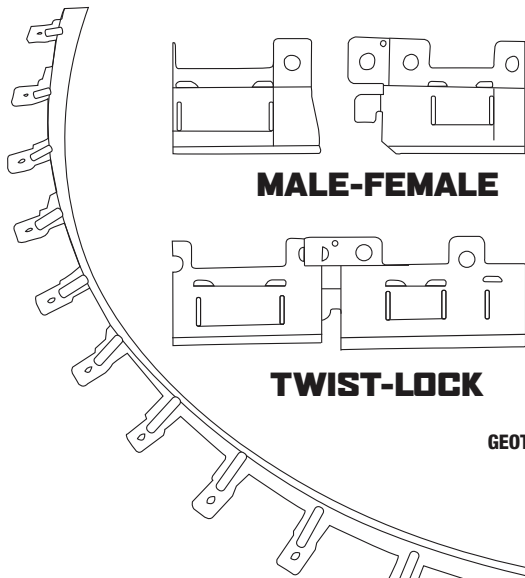
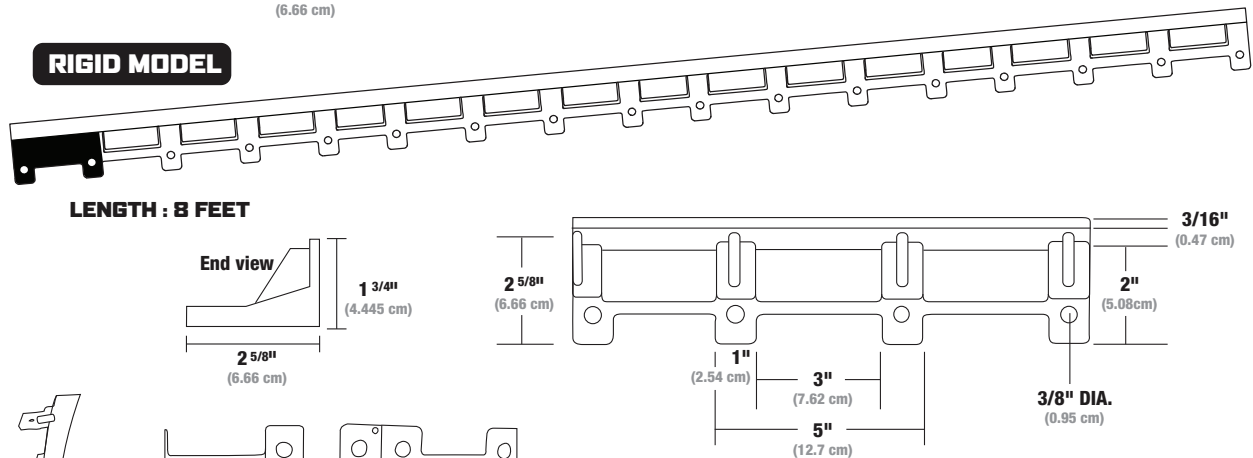
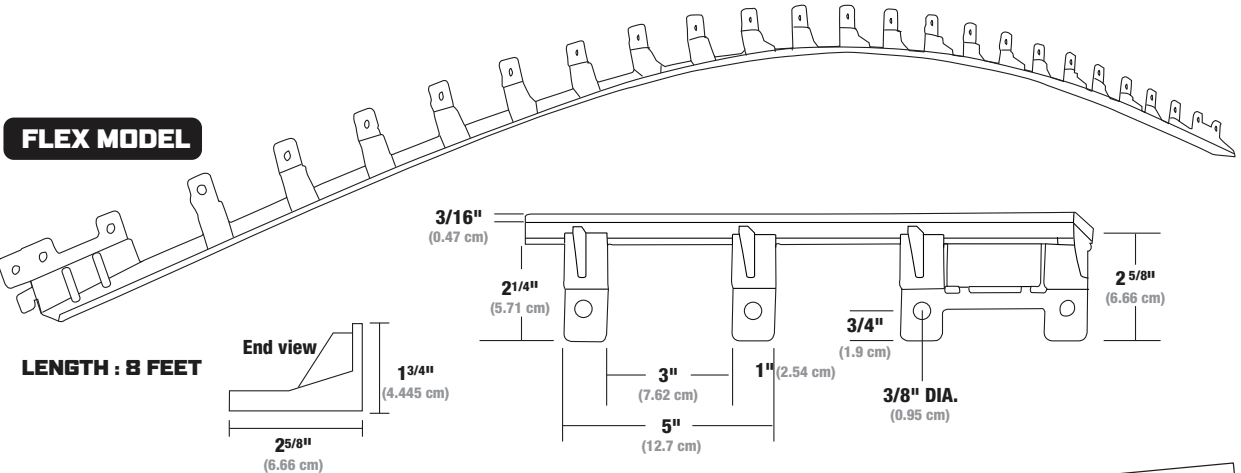
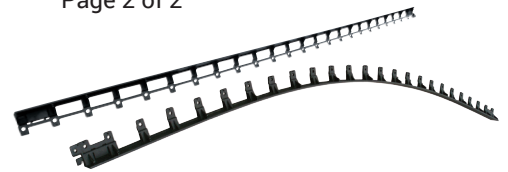


**Alliance Designer Products Inc.**  
225 Blvd. Bellerose West, Laval, Quebec, Canada H7L 6A1  
Tel.: 450 624-1611 Fax : 450 624-1622 Toll free : 1 866-212-1611  
www.alliancegator.com - Email : info@alliancegator.com



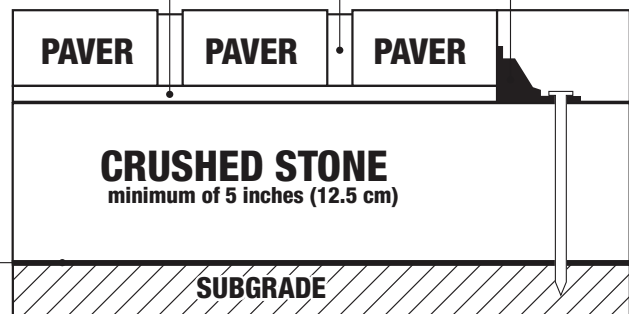
**GATOR EDGE RIGID & FLEX**

TDS Revision Date (dd/mm/yyyy): 18/04/2019



**BEDDING SAND**  
maximum of 1 inch (2.5 cm)

**POLYMERIC SAND**



- Gator Edge is:
- Height 1 3/4"
  - Width 2 5/8"
  - Length 8'

**GATOR EDGE FLEX CAN CONNECT TO GATOR EDGE RIGID**

SEE THE INSTALLATION VIDEO  
ON ALLIANCEGATOR.COM



Alliance Designer Products Inc.  
225 Blvd. Bellerose West, Laval, Quebec, Canada H7L 6A1  
Tel.: 450 624-1611 Fax : 450 624-1622 Toll free : 1 866-212-1611  
www.alliancegator.com - Email : info@alliancegator.com