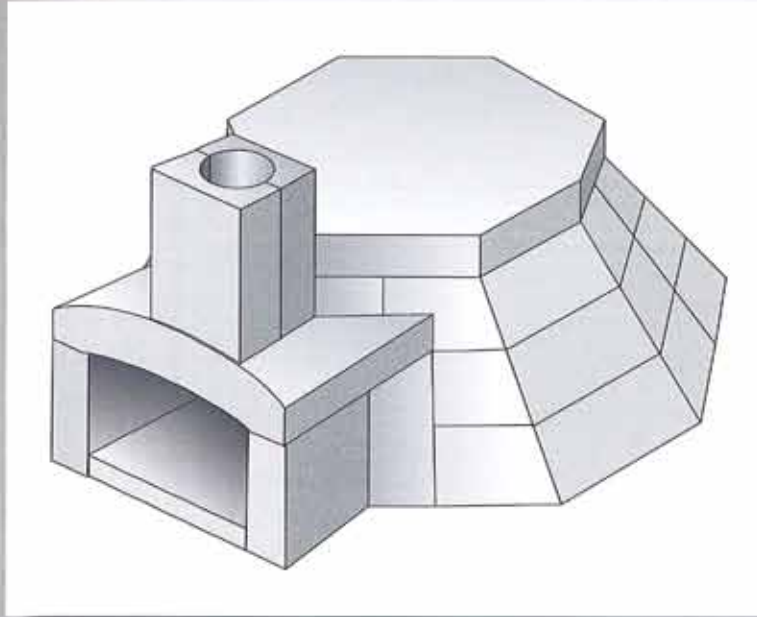


FireRock

www.firerock.us



FIRE ROCK WOOD FIRED OUTDOOR OVEN

Octagonal Oven Chamber with Domed Cap

- 48" Outside Diameter at Base
- 30" Outside Diameter at Cap
- 40" Inside Diameter at Base
- 24" Tall at Cap
- 32" Tall at Top of Chimney
- 10" Access Tunnel
- 16" Tall Chimney
- 1200 lbs.
- 19 Total Masonry Components

Arched Door

- Stainless Steel with Vent
- 17" Wide
- 11½" Tall at Center

This oven is cast from Fire Rock's proprietary insulating mix and includes a clay brick oven floor already laid into a cast base. It is designed to be erected on a concrete block base that continues up past the oven base creating a cavity to be filled with gravel for additional insulation.

PRECISION-ENGINEERED



MASONRY PRODUCTS

FireRock



3620 Avenue C, Birmingham, AL 35064
Phone: 205.639.5000 • 1.888.876.1025 • Fax: 205.639.5015 • info@firerock.us