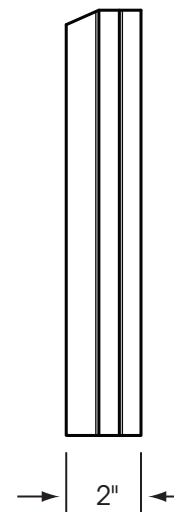
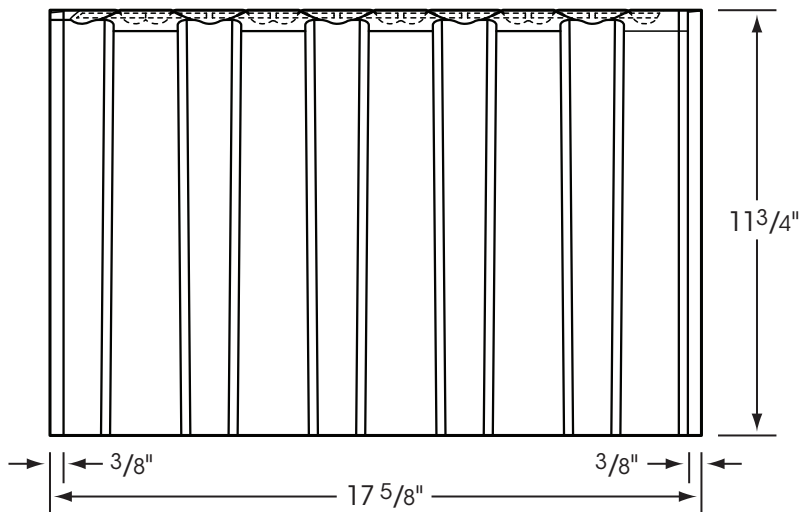
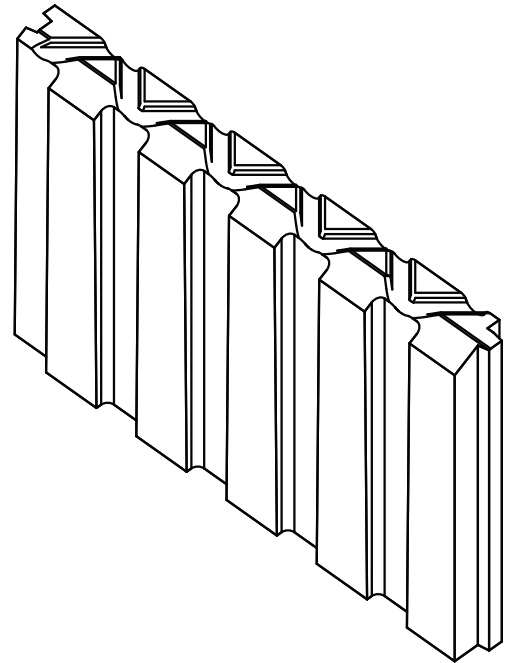
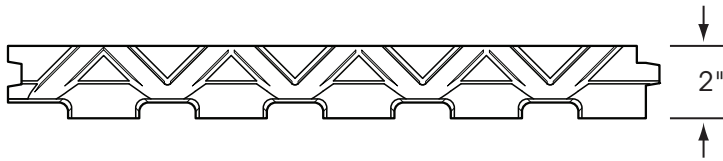


VENTLOC®

INTERLOCKING LIGHTWEIGHT ROOF BALLAST



U.S. PATENT 5,887,397 AND OTHER PATENTS PENDING

Please Note: Sizes shown are nominal. Products are made to fit metric modules.

HANOVER®

Architectural Products

5000 Hanover Road, Hanover, PA 17331

717-637-0500 fax 717-637-7145

www.hanoverpavers.com