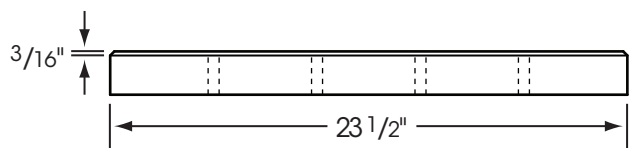
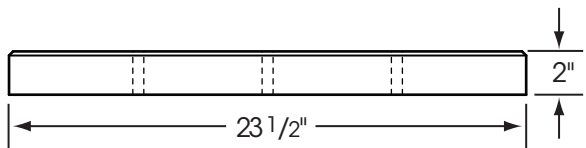
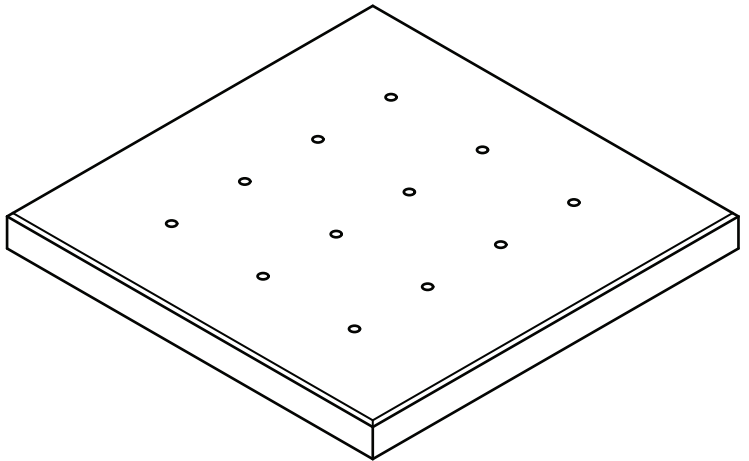
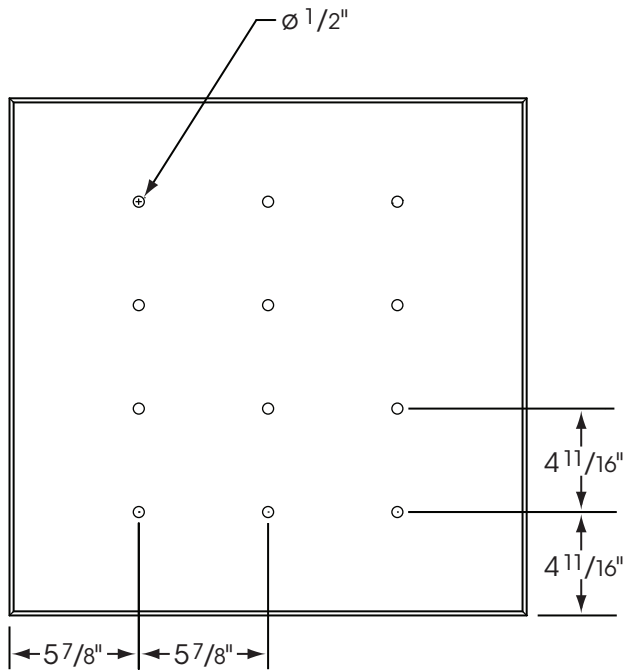


HANOVER® DRAINAGE PAVER

23¹/₂" x 23¹/₂" Paver with holes



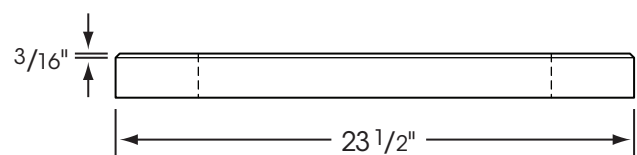
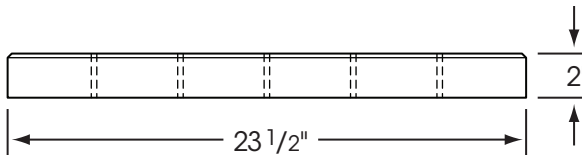
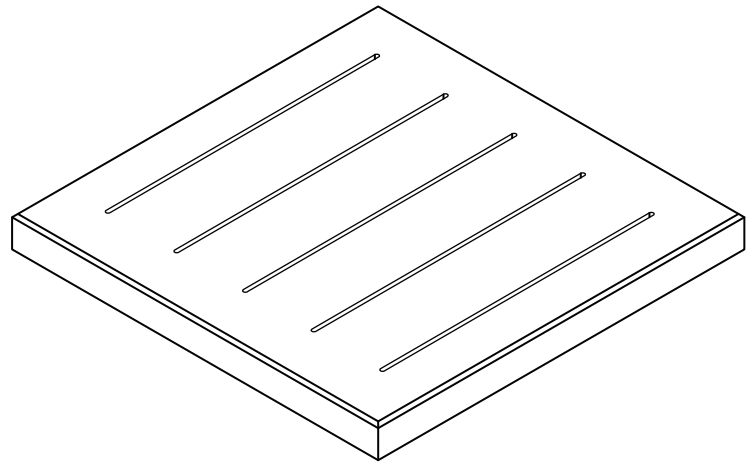
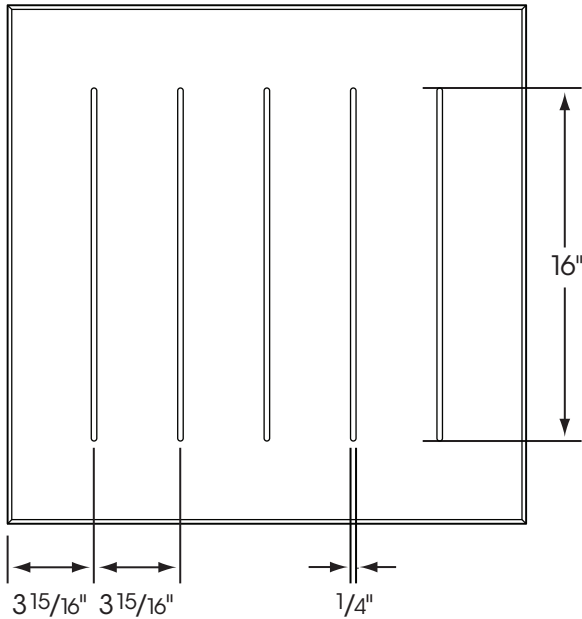
Caution: Not recommended for use on pedestal set applications that encounter heavy foot traffic (doorways, elevator or escalator entrances/exits, etc.).

Please Note: Sizes shown are nominal.
Products are made to fit metric modules.

HANOVER®
Architectural Products
5000 Hanover Road, Hanover, PA 17331
717.637.0500 fax 717.637.7145
www.hanoverpavers.com

HANOVER® DRAINAGE PAVER

23¹/₂" x 23¹/₂" Paver with slots



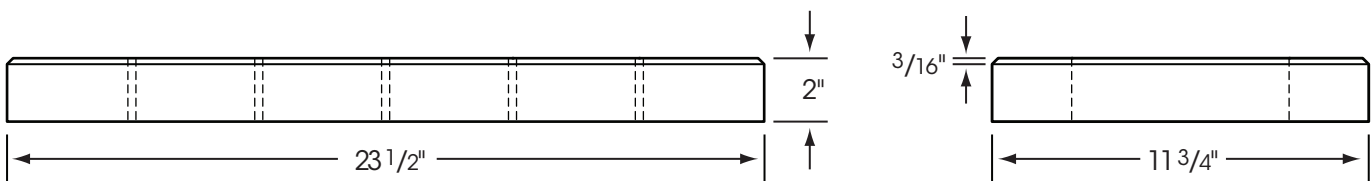
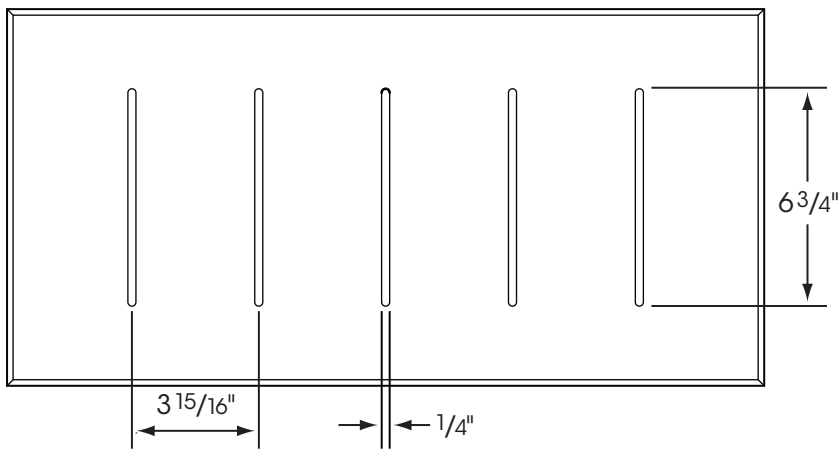
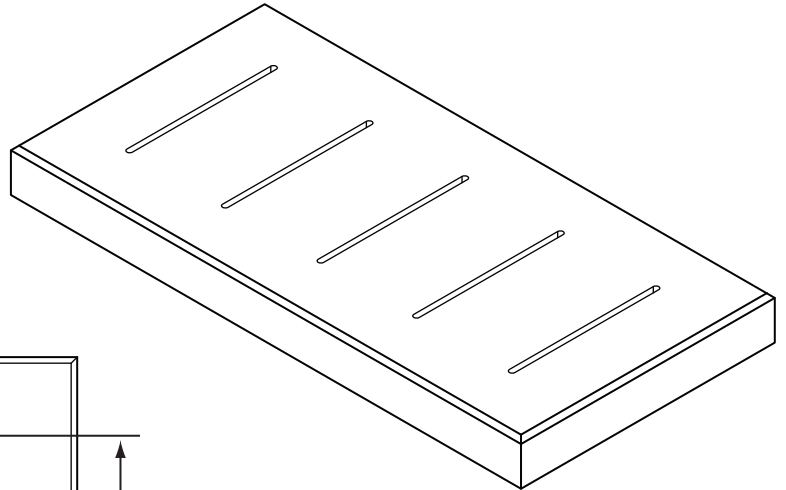
Caution: Not recommended for use on pedestal set applications that encounter heavy foot traffic (doorways, elevator or escalator entrances/exits, etc.).

Please Note: Sizes shown are nominal.
Products are made to fit metric modules.

HANOVER®
Architectural Products
5000 Hanover Road, Hanover, PA 17331
717.637.0500 fax 717.637.7145
www.hanoverpavers.com

HANOVER® DRAINAGE PAVER

11³/₄" x 23¹/₂" Paver with slots



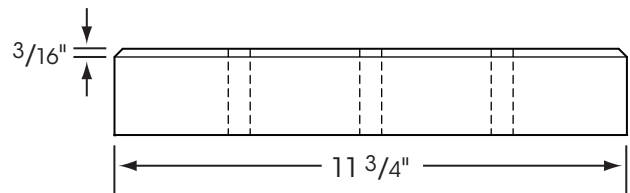
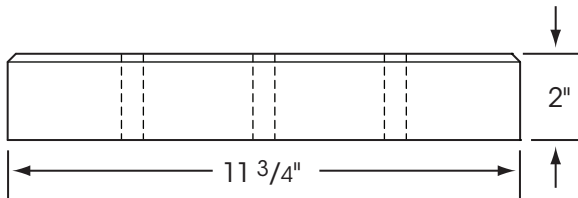
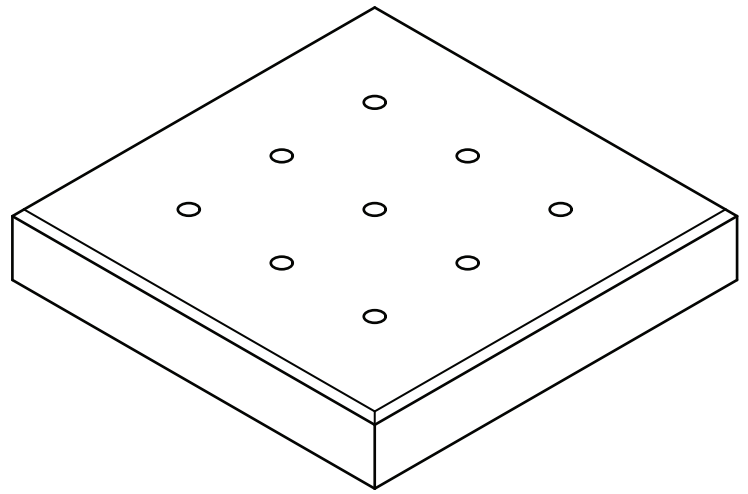
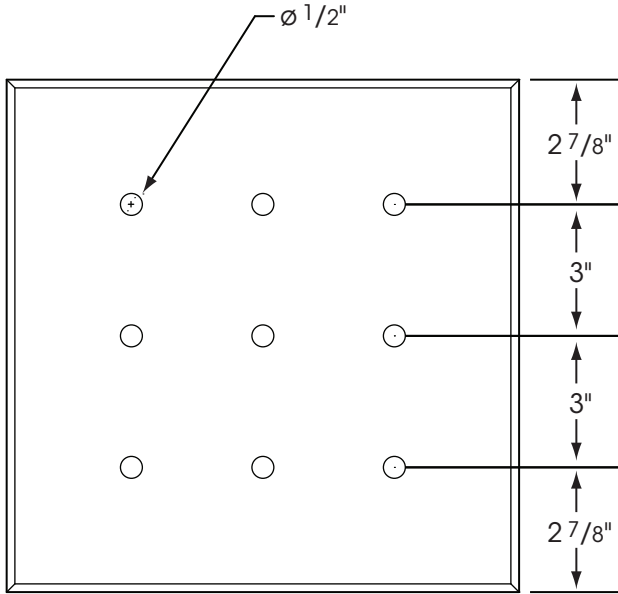
Caution: Not recommended for use on pedestal set applications that encounter heavy foot traffic (doorways, elevator or escalator entrances/exits, etc.).

Please Note: Sizes shown are nominal.
Products are made to fit metric modules.

HANOVER®
Architectural Products
5000 Hanover Road, Hanover, PA 17331
717-637.0500 fax 717-637.7145
www.hanoverpavers.com

HANOVER® DRAINAGE PAVER

11³/₄" x 11³/₄" Paver with holes



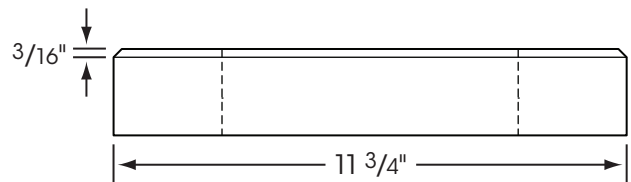
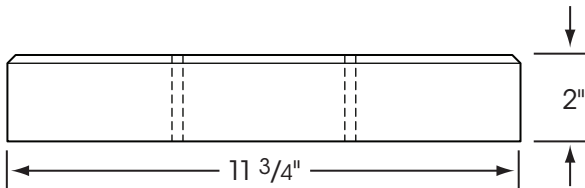
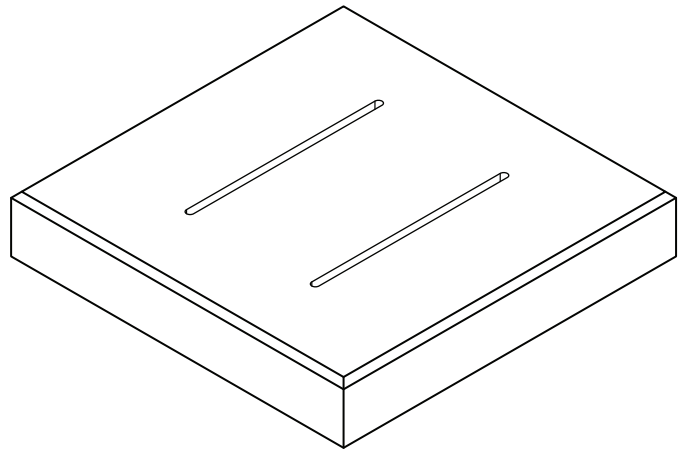
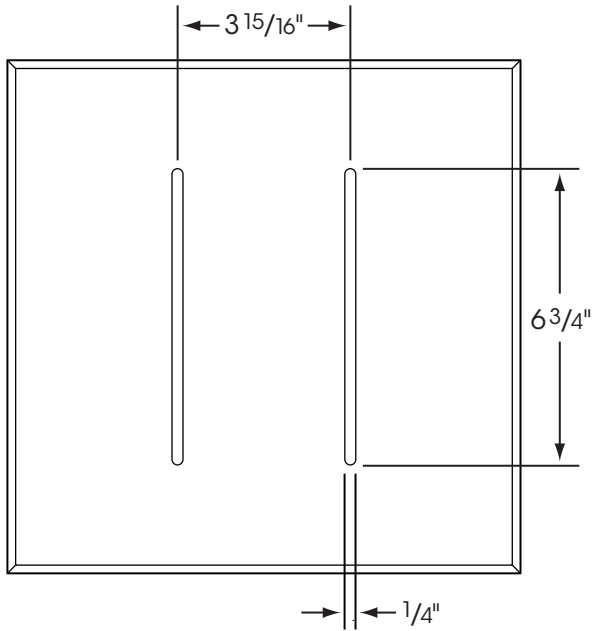
Caution: Not recommended for use on pedestal set applications that encounter heavy foot traffic (doorways, elevator or escalator entrances/exits, etc.).

Please Note: Sizes shown are nominal.
Products are made to fit metric modules.

HANOVER®
Architectural Products
5000 Hanover Road, Hanover, PA 17331
717-637.0500 fax 717-637.7145
www.hanoverpavers.com

HANOVER® DRAINAGE PAVER

11³/₄" x 11³/₄" Paver with slots



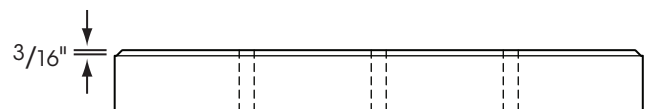
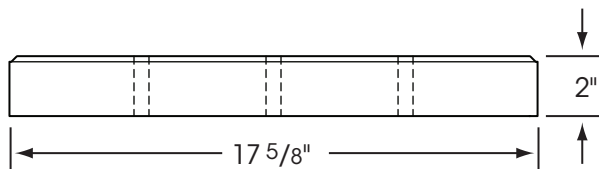
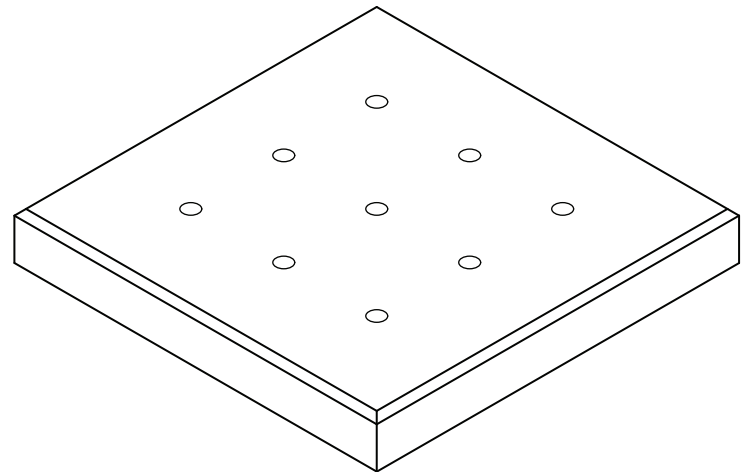
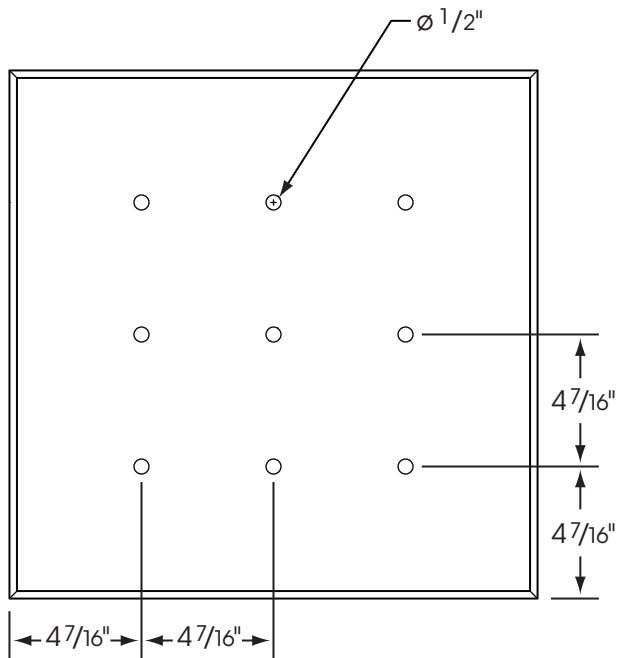
Caution: Not recommended for use on pedestal set applications that encounter heavy foot traffic (doorways, elevator or escalator entrances/exits, etc.).

Please Note: Sizes shown are nominal.
Products are made to fit metric modules.

HANOVER®
Architectural Products
5000 Hanover Road, Hanover, PA 17331
717.637.0500 fax 717.637.7145
www.hanoverpavers.com

HANOVER® DRAINAGE PAVER

17 5/8" x 17 5/8" Paver with holes



Caution: Not recommended for use on pedestal set applications that encounter heavy foot traffic (doorways, elevator or escalator entrances/exits, etc.).

Please Note: Sizes shown are nominal.
Products are made to fit metric modules.

HANOVER®
Architectural Products
5000 Hanover Road, Hanover, PA 17331
717-637.0500 fax 717-637.7145
www.hanoverpavers.com