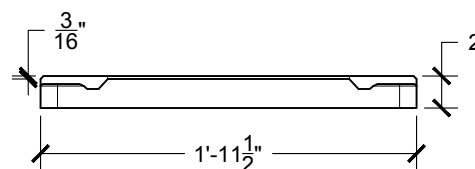
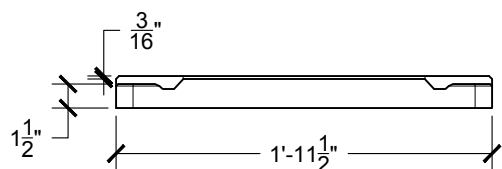
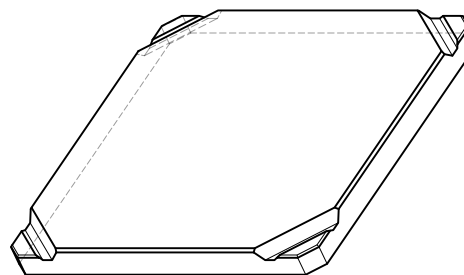
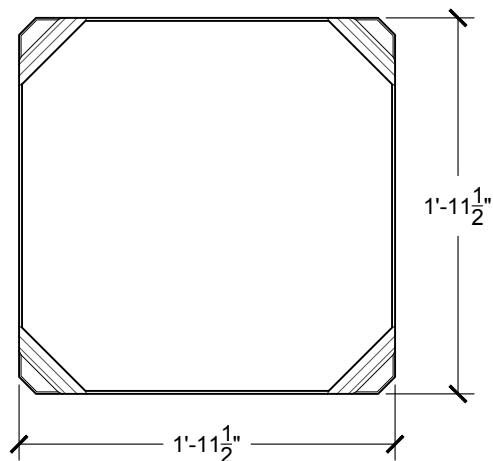


HANOVER® GUARDIAN® PAVER
(NOMINAL 24" X 24")



PLEASE NOTE: SIZES SHOWN ARE NOMINAL. PRODUCTS ARE MADE TO FIT METRIC MODULES.
THE GUARDIAN® PAVER IS AVAILABLE IN A 2" OR 3" THICKNESS.

LOCATION: HANOVER, PA

DATE: 12/1/2020 SCALE: 1"=1'

DRAWN FOR

DETAILED A.R.H

QUOTE/ORDER

REVISION #

CHECKED *Du 12/1/2020*

APPROVED

DWG: 1 OF 5

SERVICE: SHOP DRAWING

*LENGTH AND WIDTH DIMENSIONS ARE
MADE WITH A TOLERANCE OF $\pm 1/8"$
*THICKNESS AND HEIGHT DIMENSIONS ARE
MADE WITH A TOLERANCE OF $\pm 1/8"$
*DIMENSIONS SHOWN ARE NOMINAL
PRODUCTS ARE MADE TO FIT METRIC
MODULES.

UNLESS OTHERWISE NOTED:
*JOINTS ARE MADE TO AN 1/8"