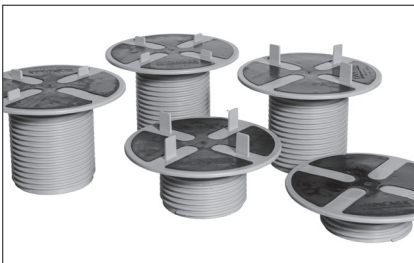


Patent Pending

The Elevator® Pedestal System is an adjustable height pedestal system designed for elevated paver applications. Consisting of a Base, Top Plate, Coupler and StayBar®, the Elevator® System can accommodate paver heights above 2" up to 24". Components can be interchanged to achieve the desired height with precise adjustments being made with a simple turn.



Top Plate Designs

Top Plate

Unlike any other pedestal, the Top Plate is equipped with pads that will quiet and secure the paver to the pedestal. Rigid-to-rigid (pedestal-to-paver) hard surfaces can create noise and paver movement when pedestrians walk across. The pads will help eliminate both conditions. The Top Plate incorporates spacer tabs which set a uniform 1/8" space between pavers and aid with alignment. Three and four tab

designs are available with a High Tab or a Low Tab. A no tab design is also available for use near edges and corners. The Top Plate provides over 42 square inches of bearing area.

Coupler

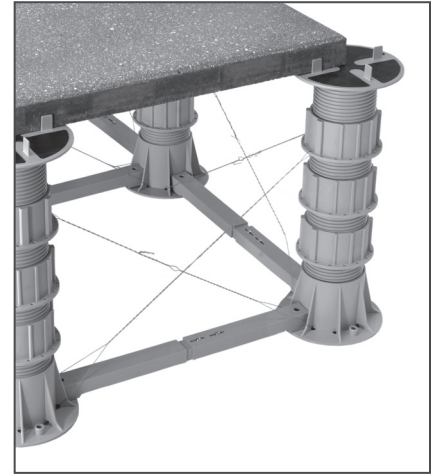
As part of the Elevator® Pedestal System, Hanover® provides a Coupler to increase paver height by 2 1/2" - 4". Hanover's Coupler includes a circular flange with multiple holes, or eyelets, for ease of tie bracing. The ring of eyelets around the entire coupler, as well as the holes in the base, enables the installer to securely fasten wires quickly and easily when bracing is required.



Coupler with Copper Inserts

StayBar®

Bracing is required for elevations above 16" and up to 24". Hanover® offers the StayBar® which fits firmly between Elevator® bases to prevent movement of the assembly. StayBar® provides adequate stabilization for



Elevator® Cross Bracing with StayBars

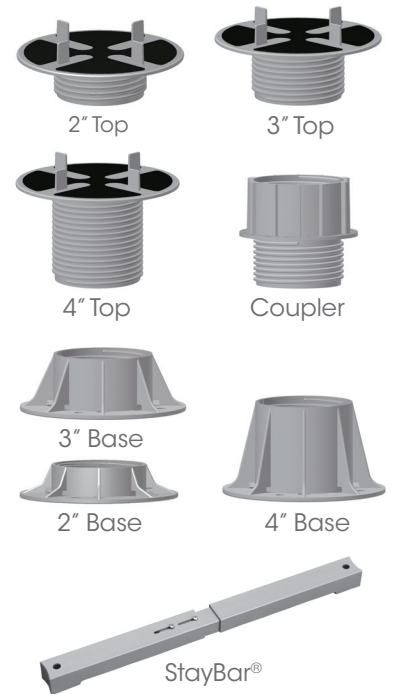
higher elevated paver installations when used in conjunction with wire cross ties. Bracing should be achieved using a stainless steel 18 gauge wire, available through the MSC Catalog, part #31980188.

Request installation guidelines for horizontal and cross bracing.

StayBars are required for applications 16" and above. The ratio of StayBars to Elevators is approximately 2 StayBars to every Elevator®. Quantities of StayBars may be more or less depending on the project. Make sure you have enough StayBars to secure all connections.

Elevator® Pedestal System Units

Packaging: 50 pieces/box



Please Note: All units are packaged separately.

Hanover® Elevator® Pedestal System Heights

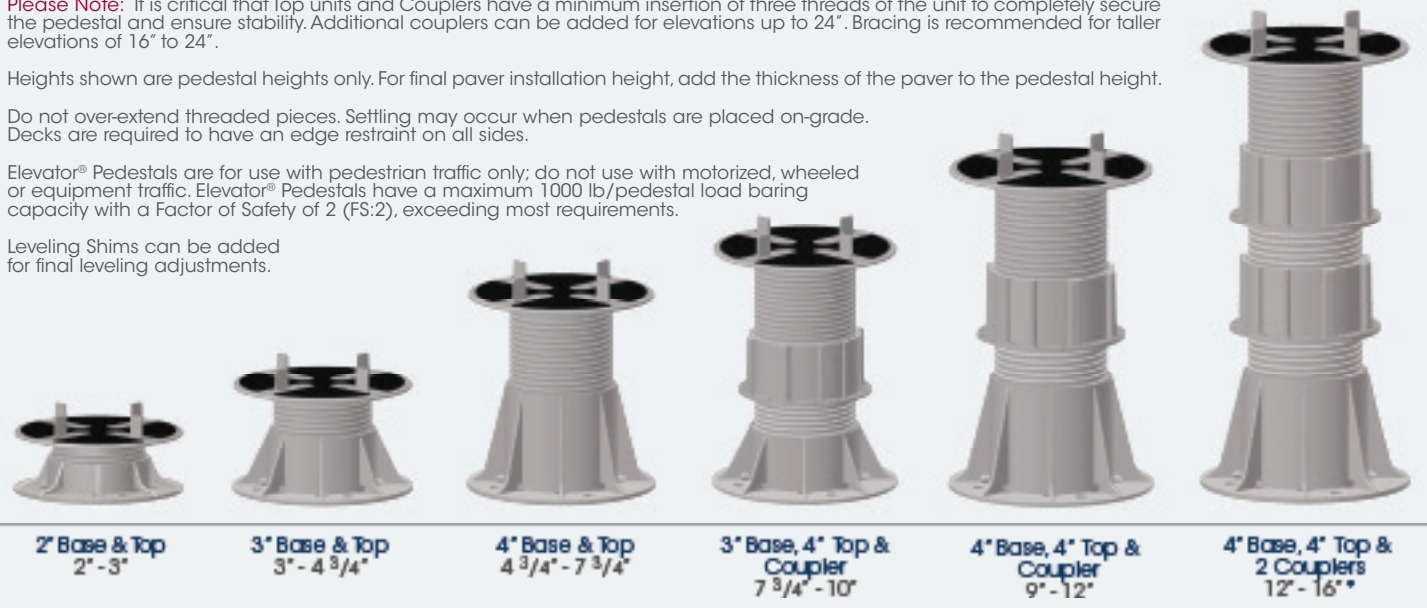
Please Note: It is critical that Top units and Couplers have a minimum insertion of three threads of the unit to completely secure the pedestal and ensure stability. Additional couplers can be added for elevations up to 24". Bracing is recommended for taller elevations of 16" to 24".

Heights shown are pedestal heights only. For final paver installation height, add the thickness of the paver to the pedestal height.

Do not over-extend threaded pieces. Settling may occur when pedestals are placed on-grade. Decks are required to have an edge restraint on all sides.

Elevator® Pedestals are for use with pedestrian traffic only; do not use with motorized, wheeled or equipment traffic. Elevator® Pedestals have a maximum 1000 lb/pedestal load bearing capacity with a Factor of Safety of 2 (FS:2), exceeding most requirements.

Leveling Shims can be added for final leveling adjustments.



*The use of additional couplers will attain heights up to 24". Heights of 16" to 24" require special bracing installation details. All specific configurations of cross tying should be reviewed with a Hanover® Sales Representative.

Hanover's Elevator® Pedestal System meets: • LA City Building Codes for Seismic Stability
• Flame Spread Requirements (CC1) (ASTM D-1929 and D-635 for plastic materials) Research Report: RR 25823 (CSI #10270)


The Elevator® can be used with other Hanover® Pedestal Systems. In order to accommodate required elevations in the most efficient manner, Hanover's Pedestal Systems can be used in various combinations. The chart above demonstrates possible height solutions using Elevator® System from 2" to 24". The High-Tab® Pedestal must be used for heights from 5/8" to 2".

Please request our Architectural Concrete Prest® Pavers brochure for more information.

High-Tab® Pedestal
7" across flats, 5/8" thick, 1/8" spacers
• for heights 5/8" up to 2"
Patent Pending



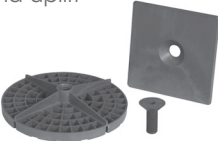
Leveling Shims
7" across flats
black : 1/16" thick, white : 1/8" thick
• can be used on top of the Elevator® System for final leveling adjustments



Compensator® Leveling System
7 3/4" diameter, 1/2" thick
• can be used under the Elevator® System to compensate for roof slope
Patented



Guardian® Paver System
Top Plate: 6" sq, Bolt: 3/4" diameter
Base: 7 1/2" diameter
• can be used on top of the Elevator® System; for wind uplift resistance
Patented



HANOVER®

Architectural Products

5000 Hanover Road, Hanover, PA 17331
717.637.0500 • fax 717.637.7145
www.hanoverpavers.com