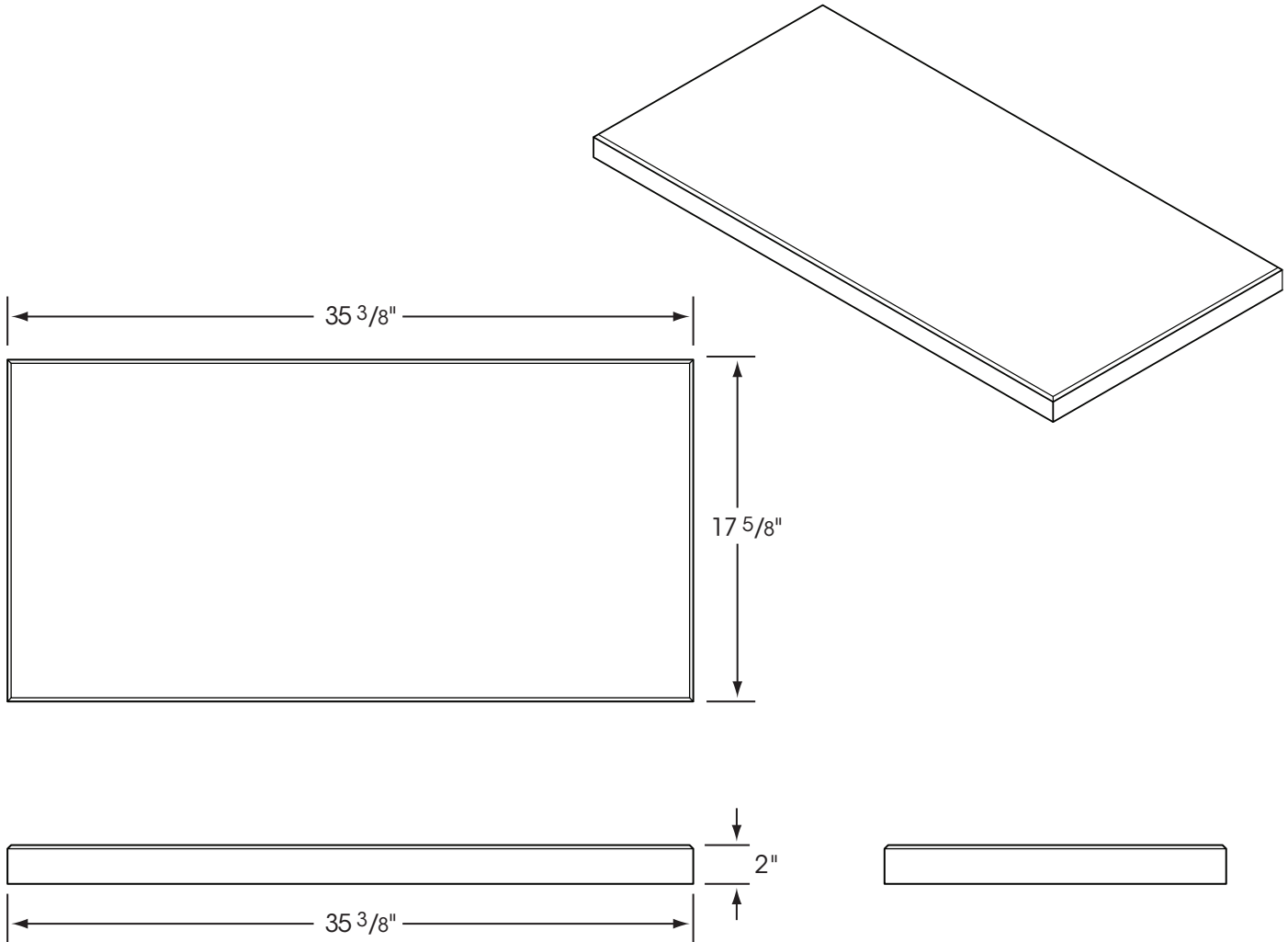


# HANOVER® PREST® PAVER

## Nominal 18" x 36"

17 5/8" x 35 3/8" x 2"



Thicknesses ranging from 1½" - 3" are also available. A variety of dimensionally compatible sizes are available for installation with the 18" x 36" Paver. Contact Hanover® for a list of sizes.

Pavers are manufactured with a standard 3/16" bevel. A square edge option is also available upon request.

Please Note: Sizes shown are nominal. Products are made to fit metric modules.  
Pavers should be laid maintaining a minimum 1/8" joint.

**HANOVER®**  
**Architectural Products**  
5000 Hanover Road, Hanover, PA 17331  
717.637.0500 fax 717.637.7145  
[www.hanoverpavers.com](http://www.hanoverpavers.com)