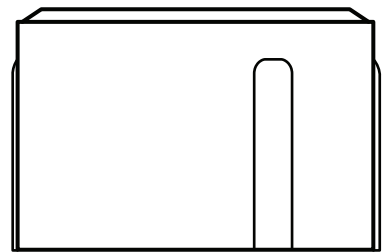
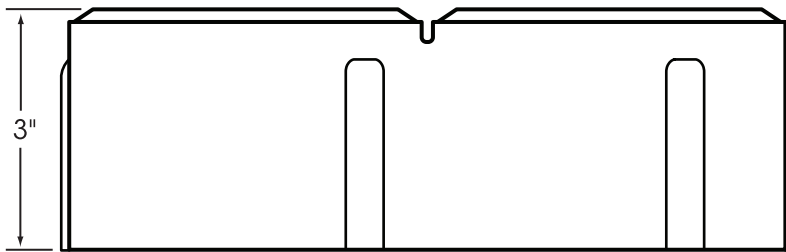
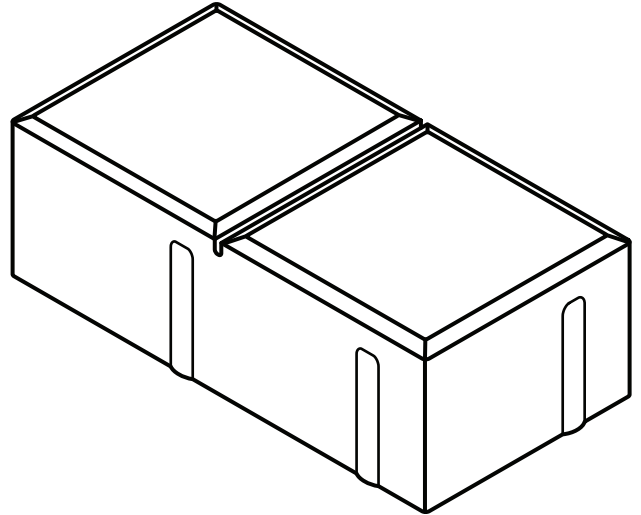
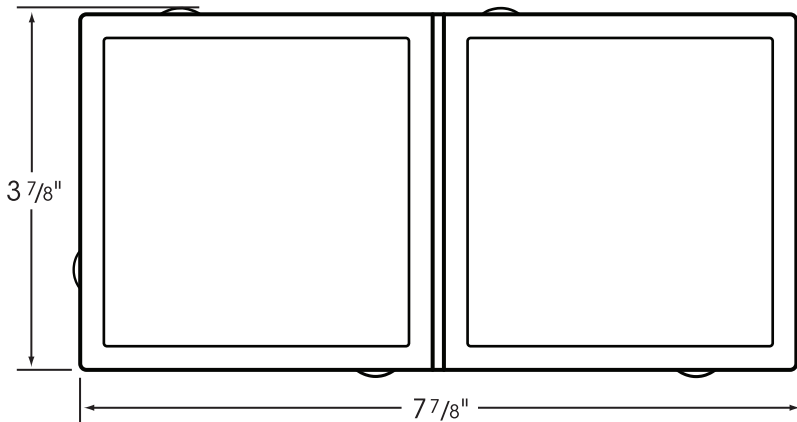


# TRADITIONAL® PREST® BRICK

## Nominal 4" x 8" with Cobble

$3\frac{7}{8}" \times 7\frac{7}{8}" \times 2\frac{3}{8}" \times 3"$



Please Note: Sizes shown are nominal. Products are made to fit metric modules.  
Overall dimensions include one spacer.

**HANOVER®**  
Architectural Products  
5000 Hanover Road, Hanover, PA 17331  
717.637.0500 fax 717.637.7145  
[www.hanoverpavers.com](http://www.hanoverpavers.com)