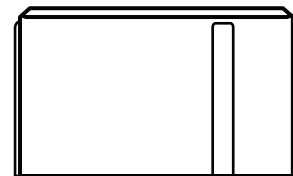
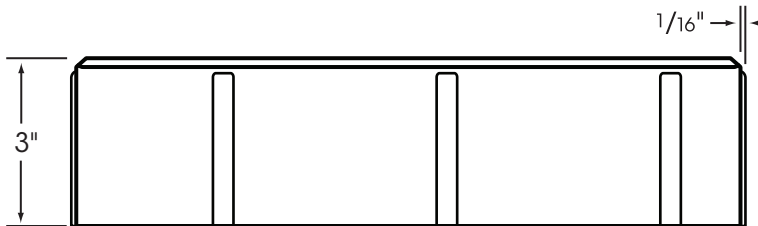
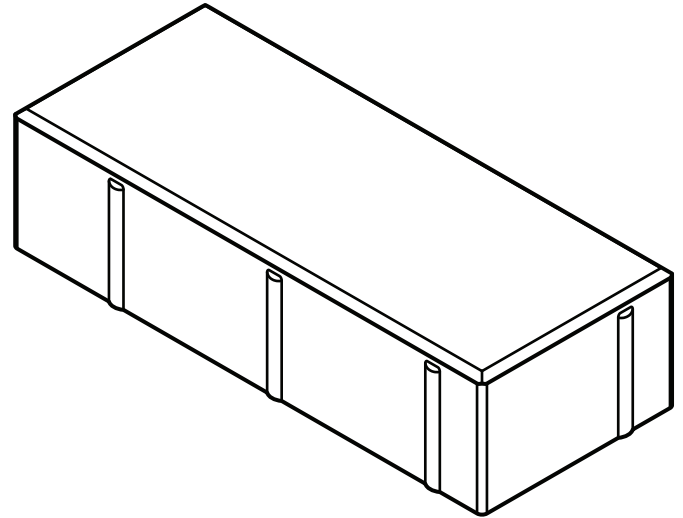
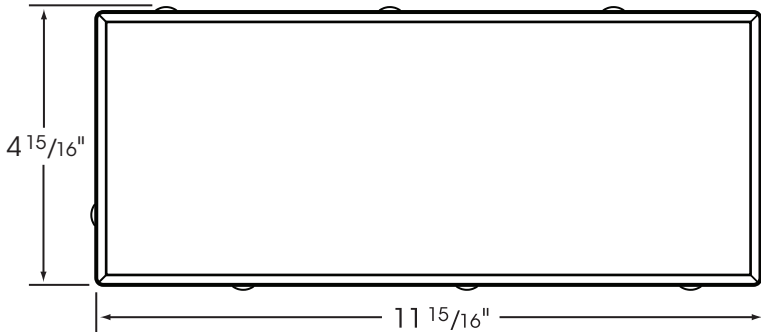


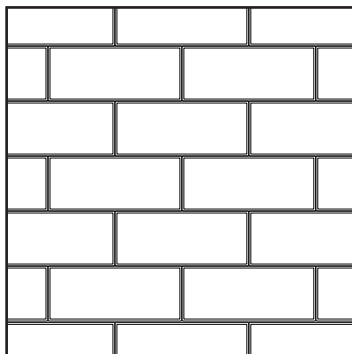
TRADITIONAL[®] PREST[®] BRICK

Nominal 5" x 12"

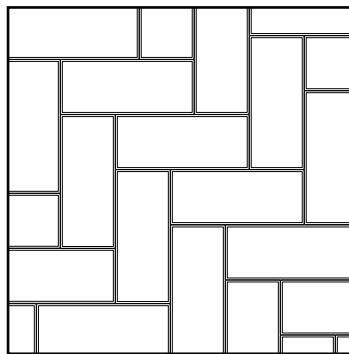
4 15/16" x 11 15/16" x 3"



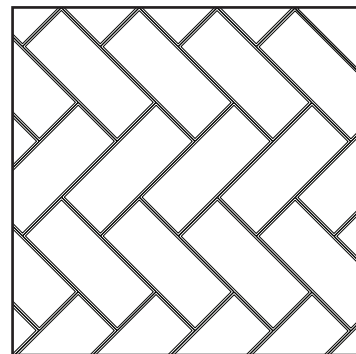
Please Note:
 Sizes shown are nominal. Products are made to fit metric modules.
 Overall dimensions include one spacer.



Running Bond*



90° Herringbone



45° Herringbone

*The Running Bond installation design is suggested for pedestrian use only.

HANOVER[®]
Architectural Products
 5000 Hanover Road, Hanover, PA 17331
 717.637.0500 fax 717.637.7145
www.hanoverpavers.com