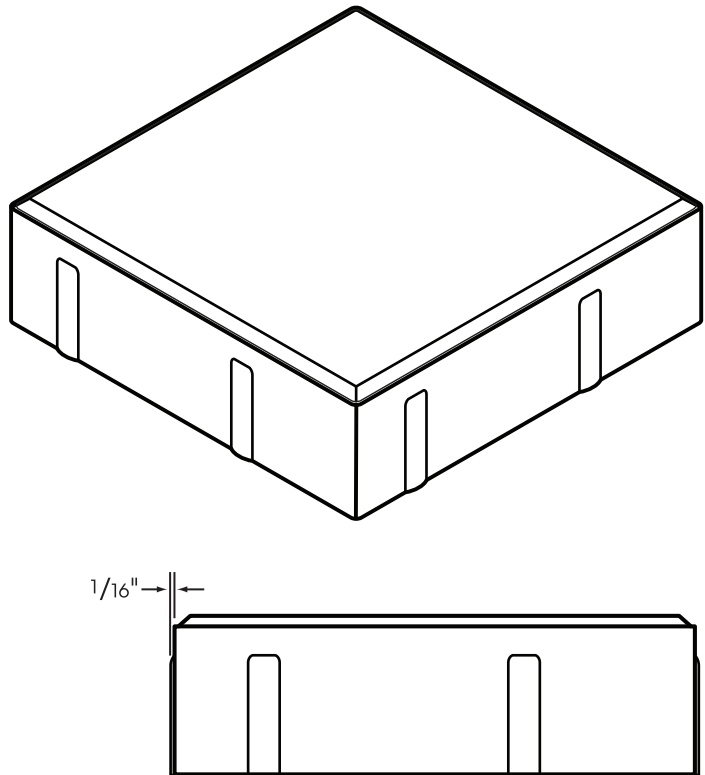
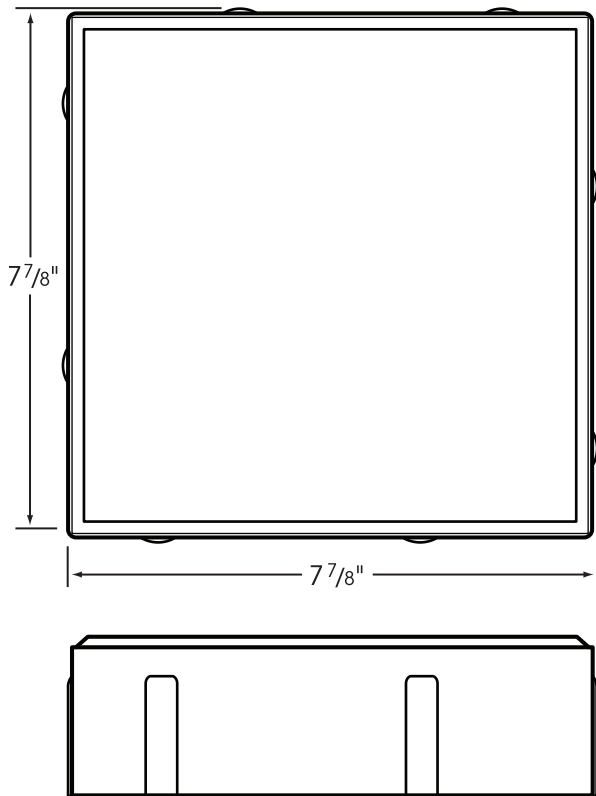


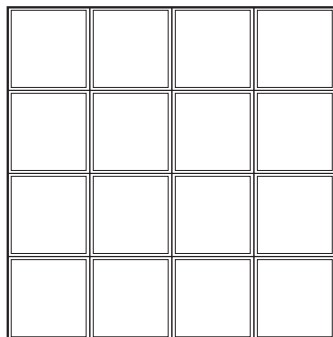
TRADITIONAL® PREST® BRICK

Nominal 8" x 8"

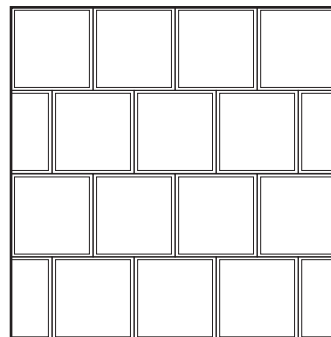
$7\frac{7}{8}" \times 7\frac{7}{8}" \times 2\frac{3}{8}"$



Please Note: 8" x 8" shown with $2\frac{3}{8}"$ thickness. A 3" thickness is also available.
 Sizes shown are nominal. Products are made to fit metric modules.
 Overall dimensions include one spacer. The 8" x 8" size is not recommended for commercial vehicular use.



Stacked Bond



Running Bond

HANOVER®

Architectural Products

5000 Hanover Road, Hanover, PA 17331

717.637.0500 fax 717.637.7145

www.hanoverpavers.com