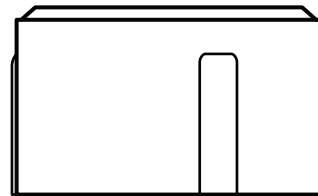
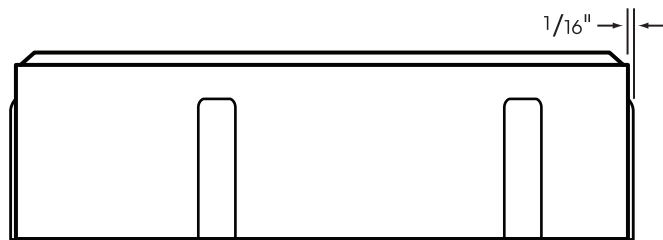
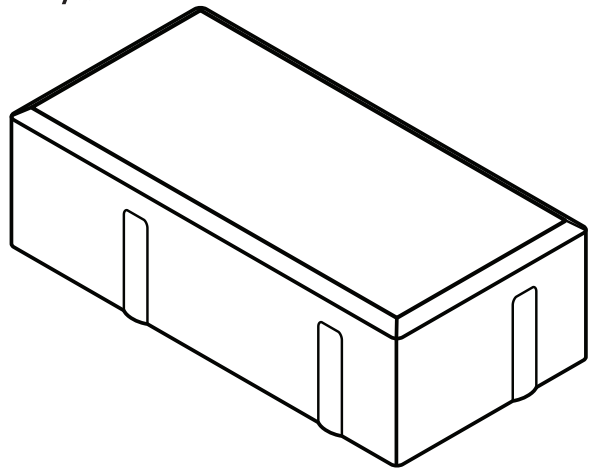
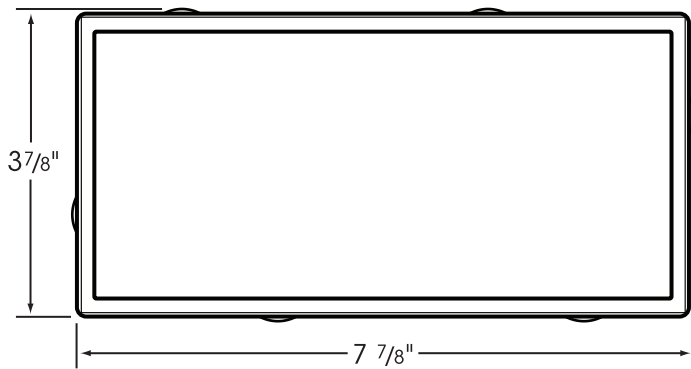


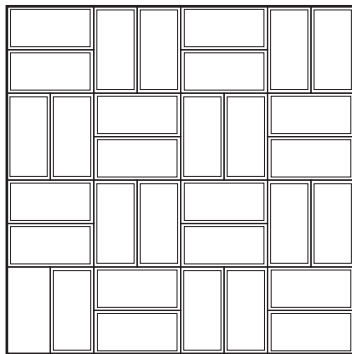
TRADITIONAL[®] PREST[®] BRICK

Nominal 4" x 8"

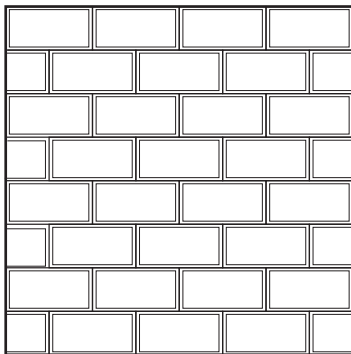
3 7/8" x 7 7/8" x 2 3/8"



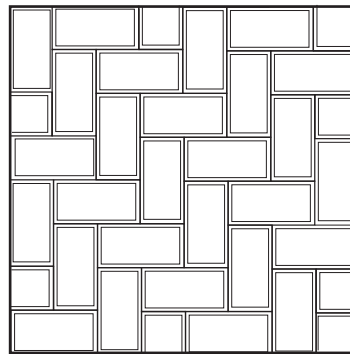
Please Note: 4" x 8" shown with 2 3/8" thickness. 1 1/2" and 3" thicknesses are also available.
 Sizes shown are nominal. Products are made to fit metric modules.
 Overall dimensions include one spacer.



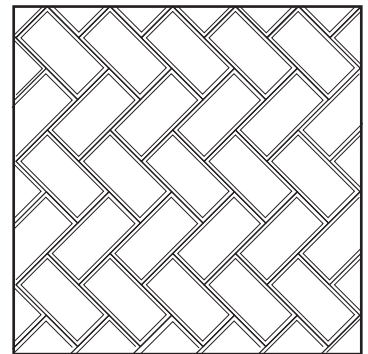
Basketweave



Running Bond



90° Herringbone



45° Herringbone

Please Note: The two installation designs shown above, the Basketweave and the Running Bond, are suggested for pedestrian use only.

Please Note: The two installation designs shown above, the 90° Herringbone and the 45° Herringbone, are suggested for low speed, low volume, vehicular traffic.

HANOVER[®]
Architectural Products
 5000 Hanover Road, Hanover, PA 17331
 717.637.0500 fax 717.637.7145
www.hanoverpavers.com